








Opposed Mode

U: EP SERIES

Sensing Mode	Connection	Supply Voltage	Output Mode	Part Number
Light Source : infrared 880nm	2m Cable 	10-30V DC (10ms on/off)	Emitter	EP-T1800D-EY9C3L2
			NPN/PNP Light-ON	EP-T1800D-LY9C4U2
			NPN/PNP Dark-ON	EP-T1800D-DY9C4U2
			NPN/PNP L.O./D.O.	EP-T1800D-CY9C4U2
		10-30V DC (1ms on/off)	Emitter	EP-T1800D-EY9C3L2-HS
			NPN/PNP Light-ON	EP-T1800D-LY9C4U2-HS
			NPN/PNP Dark-ON	EP-T1800D-DY9C4U2-HS
			NPN/PNP L.O./D.O.	EP-T1800D-CY9C4U2-HS
	9m Cable 	10-30V DC (10ms on/off)	Emitter	EP-T1800D-EY9C3L9
			NPN/PNP Light-ON	EP-T1800D-LY9C4U9
			NPN/PNP Dark-ON	EP-T1800D-DY9C4U9
			NPN/PNP L.O./D.O.	EP-T1800D-CY9C4U9
10-30V DC (1ms on/off)		Emitter	EP-T1800D-EY9C3L9-HS	
		NPN/PNP Light-ON	EP-T1800D-LY9C4U9-HS	
		NPN/PNP Dark-ON	EP-T1800D-DY9C4U9-HS	
		NPN/PNP L.O./D.O.	EP-T1800D-CY9C4U9-HS	
Opposed Mode Sensing Distance: 1.8m	Pico Style 4 Pins 6" Pigtail 	10-30V DC (10ms on/off)	Emitter	EP-T1800D-EY9P4LP
			NPN/PNP Light-ON	EP-T1800D-LY9P4UP
			NPN/PNP Dark-ON	EP-T1800D-DY9P4UP
			NPN/PNP L.O./D.O.	EP-T1800D-CY9P4UP
		10-30V DC (1ms on/off)	Emitter	EP-T1800D-EY9P4LP-HS
			NPN/PNP Light-ON	EP-T1800D-LY9P4UP-HS
			NPN/PNP Dark-ON	EP-T1800D-DY9P4UP-HS
			NPN/PNP L.O./D.O.	EP-T1800D-CY9P4UP-HS
	Euro Style 4 Pins 6" Pigtail 	10-30V DC (10ms on/off)	Emitter	EP-T1800D-EY9P4LE
			NPN/PNP Light-ON	EP-T1800D-LY9P4UE
			NPN/PNP Dark-ON	EP-T1800D-DY9P4UE
			NPN/PNP L.O./D.O.	EP-T1800D-CY9P4UE
10-30V DC (1ms on/off)		Emitter	EP-T1800D-EY9P4LE-HS	
		NPN/PNP Light-ON	EP-T1800D-LY9P4UE-HS	
		NPN/PNP Dark-ON	EP-T1800D-DY9P4UE-HS	
		NPN/PNP L.O./D.O.	EP-T1800D-CY9P4UE-HS	

Note:
Coming Soon : Part numbers with underline
In Preparation: Part numbers with a line through the middle

Opposed Mode

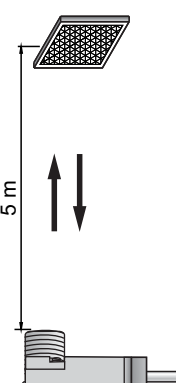




Sensing Mode	Connection	Supply Voltage	Output Mode	Part Number	
Light Source : infrared:880nm	2m Cable 	24-240V AC (10ms on/off)	Emitter (2-wire)	EP-T1800A-EY9C2L2	
			SPST Solid-state Light-ON (3-wire)	EP-T1800A-LY9C3U2	
			SPST Solid-state Dark-ON (3-wire)	EP-T1800A-DY9C3U2	
			SPST Solid-state Light-ON (2-wire)	<u>EP-T1800A-LY9C2U2</u>	
			SPST Solid-state Dark-ON (2-wire)	EP-T1800A-DY9C2U2	
		12-240V DC/ 24-240V AC (10ms on/off)	Emitter (2-wire)	EP-T1800C-EY9C2L2	
	SPST Solid-state Light-ON (2-wire)		EP-T1800C-LY9C2U2		
	SPST Solid-state Dark-ON (2-wire)		EP-T1800C-DY9C2U2		
	Opposed Mode Sensing Distance:1.8m	9m Cable 	24-240V AC (10ms on/off)	Emitter (2-wire)	EP-T1800A-EY9C2L9
				SPST Solid-state Light-ON (3-wire)	EP-T1800A-LY9C3U9
				SPST Solid-state Dark-ON (3-wire)	EP-T1800A-DY9C3U9
				SPST Solid-state Light-ON (2-wire)	<u>EP-T1800A-LY9C2U9</u>
SPST Solid-state Dark-ON (2-wire)				EP-T1800A-DY9C2U9	
12-240V DC/ 24-240V AC (10ms on/off)			Emitter (2-wire)	EP-T1800C-EY9C2L9	
		SPST Solid-state Light-ON (2-wire)	EP-T1800C-LY9C2U9		
		SPST Solid-state Dark-ON (2-wire)	EP-T1800C-DY9C2U9		
Opposed Mode Sensing Distance:1.8m		Micro Style 3Pins 6" Pigtail 	24-240V AC (10ms on/off)	Emitter (2-wire)	EP-T1800A-EY9P3LM
				SPST Solid-state Light-ON (3-wire)	EP-T1800A-LY9P3UM
				SPST Solid-state Dark-ON (3-wire)	EP-T1800A-DY9P3UM
				SPST Solid-state Light-ON (2-wire)	<u>EP-T1800A-LY9P3/2UM</u>
	SPST Solid-state Dark-ON (2-wire)			EP-T1800A-DY9P3/2UM	
	12-240V DC/ 24-240V AC (10ms on/off)		Emitter (2-wire)	EP-T1800C-EY9P3LM	
			SPST Solid-state Light-ON (2-wire)	EP-T1800C-LY9P3UM	
			SPST Solid-state Dark-ON (2-wire)	EP-T1800C-DY9P3UM	

Note:

Coming Soon : Part numbers with underline
In Preparation: Part numbers with a line through the middle

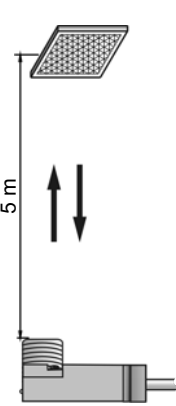



Retroreflective Mode

U: EP SERIES

Sensing Mode	Connection	Supply Voltage	Output Mode	Part Number
<p>Light Source: red light:650nm</p>  <p>5 m</p> <p>Retroreflective Mode Sensing Distance:5m (Note)</p>	<p>2m Cable</p> 	<p>10-30V DC (10ms on/off)</p>	NPN/PNP Light-ON	EP-L5000D-LY6C4U2
			NPN/PNP Dark-ON	EP-L5000D-DY6C4U2
			NPN/PNP L.O./D.O.	<u>EP-L5000D-CY6C4U2</u>
		<p>10-30V DC (1ms on/off)</p>	NPN/PNP Light-ON	EP-L5000D-LY6C4U2-HS
			NPN/PNP Dark-ON	EP-L5000D-DY6C4U2-HS
			NPN/PNP L.O./D.O.	<u>EP-L5000D-CY6C4U2-HS</u>
	<p>9m Cable</p> 	<p>10-30V DC (10ms on/off)</p>	NPN/PNP Light-ON	EP-L5000D-LY6C4U9
			NPN/PNP Dark-ON	EP-L5000D-DY6C4U9
			NPN/PNP L.O./D.O.	<u>EP-L5000D-CY6C4U9</u>
		<p>10-30V DC (1ms on/off)</p>	NPN/PNP Light-ON	EP-L5000D-LY6C4U9-HS
			NPN/PNP Dark-ON	EP-L5000D-DY6C4U9-HS
			NPN/PNP L.O./D.O.	<u>EP-L5000D-CY6C4U9-HS</u>
<p>Pico Style 4 Pins 6" Pigtail</p> 	<p>10-30V DC (10ms on/off)</p>	NPN/PNP Light-ON	EP-L5000D-LY6P4UP	
		NPN/PNP Dark-ON	EP-L5000D-DY6P4UP	
		NPN/PNP L.O./D.O.	<u>EP-L5000D-CY6P4UP</u>	
	<p>10-30V DC (1ms on/off)</p>	NPN/PNP Light-ON	EP-L5000D-LY6P4UP-HS	
		NPN/PNP Dark-ON	EP-L5000D-DY6P4UP-HS	
		NPN/PNP L.O./D.O.	<u>EP-L5000D-CY6P4UP-HS</u>	
<p>Euro Style 4 Pins 6" Pigtail</p> 	<p>10-30V DC (10ms on/off)</p>	NPN/PNP Light-ON	EP-L5000D-LY6P4UE	
		NPN/PNP Dark-ON	EP-L5000D-DY6P4UE	
		NPN/PNP L.O./D.O.	<u>EP-L5000D-CY6P4UE</u>	
	<p>10-30V DC (1ms on/off)</p>	NPN/PNP Light-ON	EP-L5000D-LY6P4UE-HS	
		NPN/PNP Dark-ON	EP-L5000D-DY6P4UE-HS	
		NPN/PNP L.O./D.O.	<u>EP-L5000D-CY6P4UE-HS</u>	

Note: Used with RE-6152 (supplied with sensor) reflector.
 Coming Soon : Part numbers with underline
 In Preparation: Part numbers with a line through the middle

Retroreflective Mode

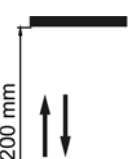




Sensing Mode	Connection	Supply Voltage	Output Mode	Part Number	
<p>Light Source: red light:650nm</p>  <p>5 m</p>	<p>2m Cable</p> 	<p>24-240V AC (10ms on/off)</p>	<p>SPST Solid-state Light-ON (3-wire)</p>	<u>EP-L5000A-LY6C3U2</u>	
			<p>SPST Solid-state Dark-ON (3-wire)</p>	<u>EP-L5000A-DY6C3U2</u>	
			<p>SPST Solid-state Light-ON (2-wire)</p>	<u>EP-L5000A-LY6C2U2</u>	
			<p>SPST Solid-state Dark-ON (2-wire)</p>	<u>EP-L5000A-DY6C2U2</u>	
		<p>12-240V DC/ 24-240V AC (10ms on/off)</p>	<p>SPST Solid-state Light-ON (2-wire)</p>	<u>EP-L5000G-LY6C2U2</u>	
			<p>SPST Solid-state Dark-ON (2-wire)</p>	<u>EP-L5000G-DY6C2U2</u>	
	<p>Retroreflective Mode Sensing Distance: 5m (Note)</p>	<p>9m Cable</p> 	<p>24-240V AC (10ms on/off)</p>	<p>SPST Solid-state Light-ON (3-wire)</p>	<u>EP-L5000A-LY6C3U9</u>
				<p>SPST Solid-state Dark-ON (3-wire)</p>	<u>EP-L5000A-DY6C3U9</u>
				<p>SPST Solid-state Light-ON (2-wire)</p>	<u>EP-L5000A-LY6C2U9</u>
				<p>SPST Solid-state Dark-ON (2-wire)</p>	<u>EP-L5000A-DY6C2U9</u>
<p>12-240V DC/ 24-240V AC (10ms on/off)</p>			<p>SPST Solid-state Light-ON (2-wire)</p>	<u>EP-L5000G-LY6C2U9</u>	
			<p>SPST Solid-state Dark-ON (2-wire)</p>	<u>EP-L5000G-DY6C2U9</u>	
<p>Retroreflective Mode Sensing Distance: 5m (Note)</p>	<p>Micro Style 3Pins 6" Pigtail</p> 	<p>24-240V AC (10ms on/off)</p>	<p>SPST Solid-state Light-ON (3-wire)</p>	<u>EP-L5000A-LY6P3UM</u>	
			<p>SPST Solid-state Dark-ON (3-wire)</p>	<u>EP-L5000A-DY6P3UM</u>	
			<p>SPST Solid-state Light-ON (2-wire)</p>	<u>EP-L5000A-LY6P3/2UM</u>	
			<p>SPST Solid-state Dark-ON (2-wire)</p>	<u>EP-L5000A-DY6P3/2UM</u>	
		<p>12-240V DC/ 24-240V AC (10ms on/off)</p>	<p>SPST Solid-state Light-ON (2-wire)</p>	<u>EP-L5000G-LY6P3UM</u>	
			<p>SPST Solid-state Dark-ON (2-wire)</p>	<u>EP-L5000G-DY6P3UM</u>	

Note: Used with RE-6152 (supplied with sensor) reflector.
 Coming Soon : Part numbers with underline
 In Preparation: Part numbers with a line through the middle

U : EP SERIES

Diffuse Mode (Long range, Sn=200mm)


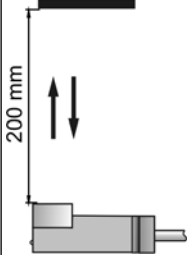


U: EP SERIES

Sensing Mode	Connection	Supply Voltage	Output Mode	Part Number
<p>Light Source: infrared 880nm</p>  <p>200 mm</p>	<p>2m Cable</p> 	<p>10-30V DC (10ms on/off)</p>	NPN/PNP Light-ON	EP-D0200D-LY9C4U2
			NPN/PNP Dark-ON	EP-D0200D-DY9C4U2
			NPN/PNP L.O./D.O.	EP-D0200D-CY9C4U2
		<p>10-30V DC (1ms on/off)</p>	NPN/PNP Light-ON	EP-D0200D-LY9C4U2-HS
			NPN/PNP Dark-ON	EP-D0200D-DY9C4U2-HS
			NPN/PNP L.O./D.O.	EP-D0200D-CY9C4U2-HS
	<p>9m Cable</p> 	<p>10-30V DC (10ms on/off)</p>	NPN/PNP Light-ON	EP-D0200D-LY9C4U9
			NPN/PNP Dark-ON	EP-D0200D-DY9C4U9
			NPN/PNP L.O./D.O.	EP-D0200D-CY9C4U9
		<p>10-30V DC (1ms on/off)</p>	NPN/PNP Light-ON	EP-D0200D-LY9C4U9-HS
			NPN/PNP Dark-ON	EP-D0200D-DY9C4U9-HS
			NPN/PNP L.O./D.O.	EP-D0200D-CY9C4U9-HS
<p>Pico Style 4 Pins 6" Pigtail</p> 	<p>10-30V DC (10ms on/off)</p>	NPN/PNP Light-ON	EP-D0200D-LY9P4UP	
		NPN/PNP Dark-ON	EP-D0200D-DY9P4UP	
		NPN/PNP L.O./D.O.	EP-D0200D-CY9P4UP	
	<p>10-30V DC (1ms on/off)</p>	NPN/PNP Light-ON	EP-D0200D-LY9P4UP-HS	
		NPN/PNP Dark-ON	EP-D0200D-DY9P4UP-HS	
		NPN/PNP L.O./D.O.	EP-D0200D-CY9P4UP-HS	
<p>Euro Style 4 Pins 6" Pigtail</p> 	<p>10-30V DC (10ms on/off)</p>	NPN/PNP Light-ON	EP-D0200D-LY9P4UE	
		NPN/PNP Dark-ON	EP-D0200D-DY9P4UE	
		NPN/PNP L.O./D.O.	EP-D0200D-CY9P4UE	
	<p>10-30V DC (1ms on/off)</p>	NPN/PNP Light-ON	EP-D0200D-LY9P4UE-HS	
		NPN/PNP Dark-ON	EP-D0200D-DY9P4UE-HS	
		NPN/PNP L.O./D.O.	EP-D0200D-CY9P4UE-HS	

Note:

Coming Soon : Part numbers with underline
 In Preparation: Part numbers with a line through the middle

Diffuse Mode (Long range, Sn=200mm)

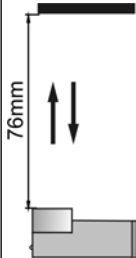


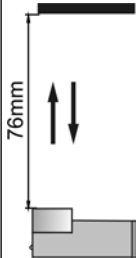


Sensing Mode	Connection	Supply Voltage	Output Mode	Part Number	
Light Source: infrared 880nm	2m Cable 	24-240V AC (10ms on/off)	SPST Solid-state Light-ON (3-wire)	<u>EP-D0200A-LY9C3U2</u>	
			SPST Solid-state Dark-ON (3-wire)	<u>EP-D0200A-DY9C3U2</u>	
			SPST Solid-state Light-ON (2-wire)	<u>EP-D0200A-LY9C2U2</u>	
			SPST Solid-state Dark-ON (2-wire)	<u>EP-D0200A-DY9C2U2</u>	
		12-240V DC/ 24-240V AC (10ms on/off)	SPST Solid-state Light-ON (2-wire)	<u>EP-D0200C-LY9C2U2</u>	
			SPST Solid-state Dark-ON (2-wire)	<u>EP-D0200C-DY9C2U2</u>	
	9m Cable 	9m Cable 	24-240V AC (10ms on/off)	SPST Solid-state Light-ON (3-wire)	<u>EP-D0200A-LY9C3U9</u>
				SPST Solid-state Dark-ON (3-wire)	<u>EP-D0200A-DY9C3U9</u>
				SPST Solid-state Light-ON (2-wire)	<u>EP-D0200A-LY9C2U9</u>
				SPST Solid-state Dark-ON (2-wire)	<u>EP-D0200A-DY9C2U9</u>
12-240V DC/ 24-240V AC (10ms on/off)			SPST Solid-state Light-ON (2-wire)	<u>EP-D0200C-LY9C2U9</u>	
			SPST Solid-state Dark-ON (2-wire)	<u>EP-D0200C-DY9C2U9</u>	
Diffuse Mode Sensing Distance:200mm	Micro Style 3Pins 6" Pigtail 	24-240V AC (10ms on/off)	SPST Solid-state Light-ON (3-wire)	<u>EP-D0200A-LY9P3UM</u>	
			SPST Solid-state Dark-ON (3-wire)	<u>EP-D0200A-DY9P3UM</u>	
			SPST Solid-state Light-ON (2-wire)	<u>EP-D0200A-LY9P3/2UM</u>	
			SPST Solid-state Dark-ON (2-wire)	<u>EP-D0200A-DY9P3/2UM</u>	
		12-240V DC/ 24-240V AC (10ms on/off)	SPST Solid-state Light-ON (2-wire)	<u>EP-D0200C-LY9P3UM</u>	
			SPST Solid-state Dark-ON (2-wire)	<u>EP-D0200C-DY9P3UM</u>	

Note:
 Coming Soon : Part numbers with underline
 In Preparation: Part numbers with a line through the middle
 — U-06 —

U : EP SERIES

Diffuse Mode (Standard range, Sn=76mm)


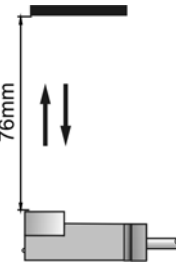


U: EP SERIES

Sensing Mode	Connection	Supply Voltage	Output Mode	Part Number
<p>Light Source: infrared 880nm</p>  <p>76mm</p>	<p>2m Cable</p> 	<p>10-30V DC (10ms on/off)</p>	NPN/PNP Light-ON	EP-D0076D-LY9C4U2
			NPN/PNP Dark-ON	EP-D0076D-DY9C4U2
			NPN/PNP L.O./D.O.	EP-D0076D-CY9C4U2
		<p>10-30V DC (1ms on/off)</p>	NPN/PNP Light-ON	EP-D0076D-LY9C4U2-HS
			NPN/PNP Dark-ON	EP-D0076D-DY9C4U2-HS
			NPN/PNP L.O./D.O.	EP-D0076D-CY9C4U2-HS
	<p>9m Cable</p> 	<p>10-30V DC (10ms on/off)</p>	NPN/PNP Light-ON	EP-D0076D-LY9C4U9
			NPN/PNP Dark-ON	EP-D0076D-DY9C4U9
			NPN/PNP L.O./D.O.	EP-D0076D-CY9C4U9
		<p>10-30V DC (1ms on/off)</p>	NPN/PNP Light-ON	EP-D0076D-LY9C4U9-HS
			NPN/PNP Dark-ON	EP-D0076D-DY9C4U9-HS
			NPN/PNP L.O./D.O.	EP-D0076D-CY9C4U9-HS
<p>Diffused Mode Sensing Distance: 76mm</p> 	<p>Pico Style 4 Pins 6" Pigtail</p> 	<p>10-30V DC (10ms on/off)</p>	NPN/PNP Light-ON	EP-D0076D-LY9P4UP
			NPN/PNP Dark-ON	EP-D0076D-DY9P4UP
			NPN/PNP L.O./D.O.	EP-D0076D-CY9P4UP
		<p>10-30V DC (1ms on/off)</p>	NPN/PNP Light-ON	EP-D0076D-LY9P4UP-HS
			NPN/PNP Dark-ON	EP-D0076D-DY9P4UP-HS
			NPN/PNP L.O./D.O.	EP-D0076D-CY9P4UP-HS
	<p>Euro Style 4 Pins 6" Pigtail</p> 	<p>10-30V DC (10ms on/off)</p>	NPN/PNP Light-ON	EP-D0076D-LY9P4UE
			NPN/PNP Dark-ON	EP-D0076D-DY9P4UE
			NPN/PNP L.O./D.O.	EP-D0076D-CY9P4UE
<p>10-30V DC (1ms on/off)</p>		NPN/PNP Light-ON	EP-D0076D-LY9P4UE-HS	
		NPN/PNP Dark-ON	EP-D0076D-DY9P4UE-HS	
		NPN/PNP L.O./D.O.	EP-D0076D-CY9P4UE-HS	

Note:

Coming Soon : Part numbers with underline
 In Preparation: Part numbers with a line through the middle

Diffuse Mode (Standard range, Sn=76mm)

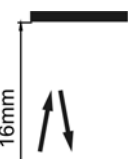




Sensing Mode	Connection	Supply Voltage	Output Mode	Part Number	
Light Source: infrared 880nm	2m Cable 	24-240V AC (10ms on/off)	SPST Solid-state Light-ON (3-wire)	<u>EP-D0076A-LY9C3U2</u>	
			SPST Solid-state Dark-ON (3-wire)	<u>EP-D0076A-DY9C3U2</u>	
			SPST Solid-state Light-ON (2-wire)	EP-D0076A-LY9C2U2	
			SPST Solid-state Dark-ON (2-wire)	EP-D0076A-DY9C2U2	
		12-240V DC/ 24-240V AC (10ms on/off)	SPST Solid-state Light-ON (2-wire)	EP-D0076C-LY9C2U2	
			SPST Solid-state Dark-ON (2-wire)	EP-D0076C-DY9C2U2	
	Diffused Mode Sensing Distance: 76mm 	9m Cable 	24-240V AC (10ms on/off)	SPST Solid-state Light-ON (3-wire)	<u>EP-D0076A-LY9C3U9</u>
				SPST Solid-state Dark-ON (3-wire)	<u>EP-D0076A-DY9C3U9</u>
				SPST Solid-state Light-ON (2-wire)	EP-D0076A-LY9C2U9
				SPST Solid-state Dark-ON (2-wire)	EP-D0076A-DY9C2U9
12-240V DC/ 24-240V AC (10ms on/off)		SPST Solid-state Light-ON (2-wire)	EP-D0076C-LY9C2U9		
		SPST Solid-state Dark-ON (2-wire)	EP-D0076C-DY9C2U9		
Diffused Mode Sensing Distance: 76mm	Micro Style 3Pins 6" Pigtail 	24-240V AC (10ms on/off)	SPST Solid-state Light-ON (3-wire)	<u>EP-D0076A-LY9P3UM</u>	
			SPST Solid-state Dark-ON (3-wire)	<u>EP-D0076A-DY9P3UM</u>	
			SPST Solid-state Light-ON (2-wire)	EP-D0076A-LY9P3/2UM	
			SPST Solid-state Dark-ON (2-wire)	EP-D0076A-DY9P3/2UM	
		12-240V DC/ 24-240V AC (10ms on/off)	SPST Solid-state Light-ON (2-wire)	EP-D0076C-LY9P3UM	
			SPST Solid-state Dark-ON (2-wire)	EP-D0076C-DY9P3UM	

Note:
 Coming Soon : Part numbers with underline
 In Preparation: Part numbers with a line through the middle
 — U-08 —

U : EP SERIES


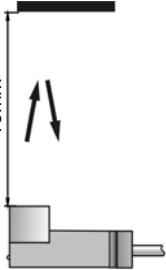


Convergent Mode

U: EP SERIES

Sensing Mode	Connection	Supply Voltage	Output Mode	Part Number
<p>Light Source: red light 650nm</p>  <p>16mm</p>	<p>2m Cable</p> 	<p>10-30V DC (10ms on/off)</p>	NPN/PNP Light-ON	EP-C0016D-LY6C4U2
			NPN/PNP Dark-ON	EP-C0016D-DY6C4U2
			NPN/PNP L.O./D.O.	EP-C0016D-CY6C4U2
		<p>10-30V DC (1ms on/off)</p>	NPN/PNP Light-ON	EP-C0016D-LY6C4U2-HS
			NPN/PNP Dark-ON	EP-C0016D-DY6C4U2-HS
			NPN/PNP L.O./D.O.	EP-C0016D-CY6C4U2-HS
	<p>9m Cable</p> 	<p>10-30V DC (10ms on/off)</p>	NPN/PNP Light-ON	EP-C0016D-LY6C4U9
			NPN/PNP Dark-ON	EP-C0016D-DY6C4U9
			NPN/PNP L.O./D.O.	EP-C0016D-CY6C4U9
		<p>10-30V DC (1ms on/off)</p>	NPN/PNP Light-ON	EP-C0016D-LY6C4U9-HS
			NPN/PNP Dark-ON	EP-C0016D-DY6C4U9-HS
			NPN/PNP L.O./D.O.	EP-C0016D-CY6C4U9-HS
<p>Convergent Mode Sensing Distance:16mm</p> 	<p>Pico Style 4 Pins 6" Pigtail</p>	<p>10-30V DC (10ms on/off)</p>	NPN/PNP Light-ON	EP-C0016D-LY6P4UP
			NPN/PNP Dark-ON	EP-C0016D-DY6P4UP
			NPN/PNP L.O./D.O.	EP-C0016D-CY6P4UP
	<p>10-30V DC (1ms on/off)</p>	NPN/PNP Light-ON	EP-C0016D-LY6P4UP-HS	
		NPN/PNP Dark-ON	EP-C0016D-DY6P4UP-HS	
		NPN/PNP L.O./D.O.	EP-C0016D-CY6P4UP-HS	
<p>Euro Style 4 Pins 6" Pigtail</p> 	<p>Euro Style 4 Pins 6" Pigtail</p>	<p>10-30V DC (10ms on/off)</p>	NPN/PNP Light-ON	EP-C0016D-LY6P4UE
			NPN/PNP Dark-ON	EP-C0016D-DY6P4UE
			NPN/PNP L.O./D.O.	EP-C0016D-CY6P4UE
	<p>10-30V DC (1ms on/off)</p>	NPN/PNP Light-ON	EP-C0016D-LY6P4UE-HS	
		NPN/PNP Dark-ON	EP-C0016D-DY6P4UE-HS	
		NPN/PNP L.O./D.O.	EP-C0016D-CY6P4UE-HS	

Note:
 Coming Soon : Part numbers with underline
 In Preparation: Part numbers with a line through the middle
 — U-09 —

Convergent Mode

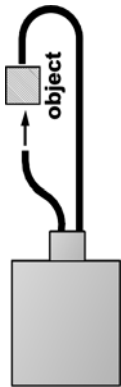




Sensing Mode	Connection	Supply Voltage	Output Mode	Part Number	
Light Source: red light 650nm	2m Cable 	24-240V AC (10ms on/off)	SPST Solid-state Light-ON (3-wire)	<u>EP-C0016A-LY6C3U2</u>	
			SPST Solid-state Dark-ON (3-wire)	<u>EP-C0016A-DY6C3U2</u>	
			SPST Solid-state Light-ON (2-wire)	<u>EP-C0016A-LY6C2U2</u>	
			SPST Solid-state Dark-ON (2-wire)	<u>EP-C0016A-DY6C2U2</u>	
		12-240V DC/ 24-240V AC (10ms on/off)	SPST Solid-state Light-ON (2-wire)	<u>EP-C0016C-LY6C2U2</u>	
			SPST Solid-state Dark-ON (2-wire)	<u>EP-C0016C-DY6C2U2</u>	
	Convergent Mode Sensing Distance:16mm 	9m Cable 	24-240V AC (10ms on/off)	SPST Solid-state Light-ON (3-wire)	<u>EP-C0016A-LY6C3U9</u>
				SPST Solid-state Dark-ON (3-wire)	<u>EP-C0016A-DY6C3U9</u>
				SPST Solid-state Light-ON (2-wire)	<u>EP-C0016A-LY6C2U9</u>
				SPST Solid-state Dark-ON (2-wire)	<u>EP-C0016A-DY6C2U9</u>
12-240V DC/ 24-240V AC (10ms on/off)			SPST Solid-state Light-ON (2-wire)	<u>EP-C0016C-LY6C2U9</u>	
			SPST Solid-state Dark-ON (2-wire)	<u>EP-C0016C-DY6C2U9</u>	
Micro Style 3Pins 6" Pigtail 		24-240V AC (10ms on/off)	SPST Solid-state Light-ON (3-wire)	<u>EP-C0016A-LY6P3UM</u>	
			SPST Solid-state Dark-ON (3-wire)	<u>EP-C0016A-DY6P3UM</u>	
			SPST Solid-state Light-ON (2-wire)	<u>EP-C0016A-LY6P3/2UM</u>	
			SPST Solid-state Dark-ON (2-wire)	<u>EP-C0016A-DY6P3/2UM</u>	
	12-240V DC/ 24-240V AC (10ms on/off)	SPST Solid-state Light-ON (2-wire)	<u>EP-C0016C-LY6P3UM</u>		
		SPST Solid-state Dark-ON (2-wire)	<u>EP-C0016C-DY6P3UM</u>		

Note:
 Coming Soon : Part numbers with underline
 In Preparation: Part numbers with a line through the middle
 — U-10 —

U : EP SERIES




Glass Fiber Optic with Opposed Mode

U: EP SERIES

Sensing Mode	Connection	Supply Voltage	Output Mode	Part Number
<p>Light Source: Infrared 880nm</p>  <p>Glass Fiber Optic Opposed Mode Sensing Distance (Note)</p>	<p>2m Cable</p> 	<p>10-30V DC (10ms on/off)</p>	NPN/PNP Light-ON	EP-TGFD-LY9C4U2
			NPN/PNP Dark-ON	<u>EP-TGFD-DY9C4U2</u>
			NPN/PNP L.O./D.O.	EP-TGFD-CY9C4U2
		<p>10-30V DC (1ms on/off)</p>	NPN/PNP Light-ON	<u>EP-TGFD-LY9C4U2-HS</u>
			NPN/PNP Dark-ON	EP-TGFD-DY9C4U2-HS
			NPN/PNP L.O./D.O.	EP-TGFD-CY9C4U2-HS
	<p>9m Cable</p> 	<p>10-30V DC (10ms on/off)</p>	NPN/PNP Light-ON	EP-TGFD-LY9C4U9
			NPN/PNP Dark-ON	<u>EP-TGFD-DY9C4U9</u>
			NPN/PNP L.O./D.O.	EP-TGFD-CY9C4U9
		<p>10-30V DC (1ms on/off)</p>	NPN/PNP Light-ON	<u>EP-TGFD-LY9C4U9-HS</u>
			NPN/PNP Dark-ON	EP-TGFD-DY9C4U9-HS
			NPN/PNP L.O./D.O.	EP-TGFD-CY9C4U9-HS
<p>Pico Style 4 Pins 6" Pigtail</p> 	<p>10-30V DC (10ms on/off)</p>	NPN/PNP Light-ON	EP-TGFD-LY9P4UP	
		NPN/PNP Dark-ON	<u>EP-TGFD-DY9P4UP</u>	
		NPN/PNP L.O./D.O.	EP-TGFD-CY9P4UP	
	<p>10-30V DC (1ms on/off)</p>	NPN/PNP Light-ON	<u>EP-TGFD-LY9P4UP-HS</u>	
		NPN/PNP Dark-ON	EP-TGFD-DY9P4UP-HS	
		NPN/PNP L.O./D.O.	EP-TGFD-CY9P4UP-HS	
<p>Euro Style 4 Pins 6" Pigtail</p> 	<p>10-30V DC (10ms on/off)</p>	NPN/PNP Light-ON	EP-TGFD-LY9P4UE	
		NPN/PNP Dark-ON	<u>EP-TGFD-DY9P4UE</u>	
		NPN/PNP L.O./D.O.	EP-TGFD-CY9P4UE	
	<p>10-30V DC (1ms on/off)</p>	NPN/PNP Light-ON	<u>EP-TGFD-LY9P4UE-HS</u>	
		NPN/PNP Dark-ON	EP-TGFD-DY9P4UE-HS	
		NPN/PNP L.O./D.O.	EP-TGFD-CY9P4UE-HS	

Note: Depends on fiber optic used (Please see our **Glass Fiber & Plastic Fiber** catalogue for detail information).
Coming Soon : Part numbers with underline
In Preparation: Part numbers with a line through the middle

Glass Fiber Optic with Opposed Mode

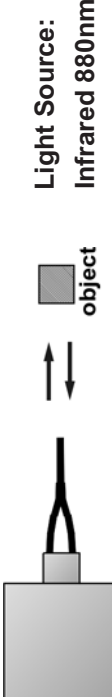




Sensing Mode	Connection	Supply Voltage	Output Mode	Part Number			
Light Source: Infrared 880nm		24-240V AC (10ms on/off)	SPST Solid-state Light-ON (3-wire)	<u>EP-TGFA-LY9C3U2</u>			
			SPST Solid-state Dark-ON (3-wire)	<u>EP-TGFA-DY9C3U2</u>			
			SPST Solid-state Light-ON (2-wire)	<u>EP-TGFA-LY9C2U2</u>			
			SPST Solid-state Dark-ON (2-wire)	<u>EP-TGFA-DY9C2U2</u>			
		12-240V DC/ 24-240V AC (10ms on/off)	SPST Solid-state Light-ON (2-wire)	<u>EP-TGFC-LY9C2U2</u>			
			SPST Solid-state Dark-ON (2-wire)	<u>EP-TGFC-DY9C2U2</u>			
			Glass Fiber Optic Opposed Mode Sensing Distance (Note)		24-240V AC (10ms on/off)	SPST Solid-state Light-ON (3-wire)	<u>EP-TGFA-LY9C3U9</u>
						SPST Solid-state Dark-ON (3-wire)	<u>EP-TGFA-DY9C3U9</u>
SPST Solid-state Light-ON (2-wire)	<u>EP-TGFA-LY9C2U9</u>						
SPST Solid-state Dark-ON (2-wire)	<u>EP-TGFA-DY9C2U9</u>						
12-240V DC/ 24-240V AC (10ms on/off)	SPST Solid-state Light-ON (2-wire)	<u>EP-TGFC-LY9C2U9</u>					
	SPST Solid-state Dark-ON (2-wire)	<u>EP-TGFC-DY9C2U9</u>					
	Glass Fiber Optic Opposed Mode Sensing Distance (Note)				24-240V AC (10ms on/off)	SPST Solid-state Light-ON (3-wire)	<u>EP-TGFA-LY9P3UM</u>
						SPST Solid-state Dark-ON (3-wire)	<u>EP-TGFA-DY9P3UM</u>
SPST Solid-state Light-ON (2-wire)			<u>EP-TGFA-LY9P3/2UM</u>				
SPST Solid-state Dark-ON (2-wire)			<u>EP-TGFA-DY9P3/2UM</u>				
12-240V DC/ 24-240V AC (10ms on/off)			SPST Solid-state Light-ON (2-wire)	<u>EP-TGFC-LY9P3UM</u>			
			SPST Solid-state Dark-ON (2-wire)	<u>EP-TGFC-DY9P3UM</u>			

Note: Depends on fiber optic used (Please see our Glass Fiber & Plastic Fiber catalogue for detail information).
 Coming Soon : Part numbers with underline
 In Preparation: Part numbers with a line through the middle

U : EP SERIES





Glass Fiber Optic with Diffuse Mode

U: EP SERIES

Sensing Mode	Connection	Supply Voltage	Output Mode	Part Number	
<p>Light Source: Infrared 880nm</p>  <p>object</p> <p>↑ ↓</p> <p>Glass Fiber Optic Diffuse Mode Sensing Distance (Note)</p>	<p>2m Cable</p> 	<p>10-30V DC (10ms on/off)</p>	<p>NPN/PNP Light-ON</p>	<p>EP-DGFD-LY9C4U2</p>	
			<p>NPN/PNP Dark-ON</p>	<p><u>EP-DGFD-DY9C4U2</u></p>	
			<p>NPN/PNP L.O./D.O.</p>	<p>EP-DGFD-CY9C4U2</p>	
			<p>10-30V DC (1ms on/off)</p>	<p>NPN/PNP Light-ON</p>	<p><u>EP-DGFD-LY9C4U2-HS</u></p>
				<p>NPN/PNP Dark-ON</p>	<p><u>EP-DGFD-DY9C4U2-HS</u></p>
				<p>NPN/PNP L.O./D.O.</p>	<p>EP-DGFD-CY9C4U2-HS</p>
	<p>9m Cable</p> 	<p>10-30V DC (10ms on/off)</p>	<p>NPN/PNP Light-ON</p>	<p>EP-DGFD-LY9C4U9</p>	
			<p>NPN/PNP Dark-ON</p>	<p><u>EP-DGFD-DY9C4U9</u></p>	
			<p>NPN/PNP L.O./D.O.</p>	<p>EP-DGFD-CY9C4U9</p>	
			<p>10-30V DC (1ms on/off)</p>	<p>NPN/PNP Light-ON</p>	<p><u>EP-DGFD-LY9C4U9-HS</u></p>
				<p>NPN/PNP Dark-ON</p>	<p><u>EP-DGFD-DY9C4U9-HS</u></p>
				<p>NPN/PNP L.O./D.O.</p>	<p>EP-DGFD-CY9C4U9-HS</p>
<p>Pico Style 4 Pins 6" Pigtail</p> 	<p>10-30V DC (10ms on/off)</p>	<p>NPN/PNP Light-ON</p>	<p>EP-DGFD-LY9P4UP</p>		
		<p>NPN/PNP Dark-ON</p>	<p><u>EP-DGFD-DY9P4UP</u></p>		
		<p>NPN/PNP L.O./D.O.</p>	<p>EP-DGFD-CY9P4UP</p>		
		<p>10-30V DC (1ms on/off)</p>	<p>NPN/PNP Light-ON</p>	<p><u>EP-DGFD-LY9P4UP-HS</u></p>	
			<p>NPN/PNP Dark-ON</p>	<p><u>EP-DGFD-DY9P4UP-HS</u></p>	
			<p>NPN/PNP L.O./D.O.</p>	<p>EP-DGFD-CY9P4UP-HS</p>	
<p>Euro Style 4 Pins 6" Pigtail</p> 	<p>10-30V DC (10ms on/off)</p>	<p>NPN/PNP Light-ON</p>	<p>EP-DGFD-LY9P4UE</p>		
		<p>NPN/PNP Dark-ON</p>	<p><u>EP-DGFD-DY9P4UE</u></p>		
		<p>NPN/PNP L.O./D.O.</p>	<p>EP-DGFD-CY9P4UE</p>		
		<p>10-30V DC (1ms on/off)</p>	<p>NPN/PNP Light-ON</p>	<p><u>EP-DGFD-LY9P4UE-HS</u></p>	
			<p>NPN/PNP Dark-ON</p>	<p><u>EP-DGFD-DY9P4UE-HS</u></p>	
			<p>NPN/PNP L.O./D.O.</p>	<p>EP-DGFD-CY9P4UE-HS</p>	

Note: Depends on fiber optic used (Please see our **Glass Fiber & Plastic Fiber** catalogue for detail information).
Coming Soon : Part numbers with underline
In Preparation: Part numbers with a line through the middle

Glass Fiber Optic with Diffuse Mode

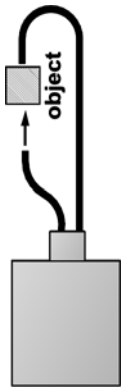




Sensing Mode	Connection	Supply Voltage	Output Mode	Part Number
<p>Light Source: Infrared 880nm</p>  <p>object</p> <p>Glass Fiber Optic Diffuse Mode Sensing Distance (Note)</p>	<p>2m Cable</p> 	<p>24-240V AC (10ms on/off)</p>	SPST Solid-state Light-ON (3-wire)	EP-DGFA-LY9C3U2
			SPST Solid-state Dark-ON (3-wire)	EP-DGFA-DY9C3U2
			SPST Solid-state Light-ON (2-wire)	EP-DGFA-LY9C2U2
			SPST Solid-state Dark-ON (2-wire)	EP-DGFA-DY9C2U2
		<p>12-240V DC/ 24-240V AC (10ms on/off)</p>	SPST Solid-state Light-ON (2-wire)	EP-DGFC-LY9C2U2
			SPST Solid-state Dark-ON (2-wire)	EP-DGFC-DY9C2U2
	<p>9m Cable</p> 	<p>24-240V AC (10ms on/off)</p>	SPST Solid-state Light-ON (3-wire)	EP-DGFA-LY9C3U9
			SPST Solid-state Dark-ON (3-wire)	EP-DGFA-DY9C3U9
			SPST Solid-state Light-ON (2-wire)	EP-DGFA-LY9C2U9
			SPST Solid-state Dark-ON (2-wire)	EP-DGFA-DY9C2U9
		<p>12-240V DC/ 24-240V AC (10ms on/off)</p>	SPST Solid-state Light-ON (2-wire)	EP-DGFC-LY9C2U9
			SPST Solid-state Dark-ON (2-wire)	EP-DGFC-DY9C2U9
<p>Micro Style 3Pins 6" Pigtail</p> 	<p>24-240V AC (10ms on/off)</p>	SPST Solid-state Light-ON (3-wire)	EP-DGFA-LY9P3UM	
		SPST Solid-state Dark-ON (3-wire)	EP-DGFA-DY9P3UM	
		SPST Solid-state Light-ON (2-wire)	EP-DGFA-LY9P3/2UM	
		SPST Solid-state Dark-ON (2-wire)	EP-DGFA-DY9P3/2UM	
	<p>12-240V DC/ 24-240V AC (10ms on/off)</p>	SPST Solid-state Light-ON (2-wire)	EP-DGFC-LY9P3UM	
		SPST Solid-state Dark-ON (2-wire)	EP-DGFC-DY9P3UM	

Note: Depends on fiber optic used (Please see our Glass Fiber & Plastic Fiber catalogue for detail information).
 Coming Soon : Part numbers with underline
 In Preparation: Part numbers with a line through the middle

U : EP SERIES


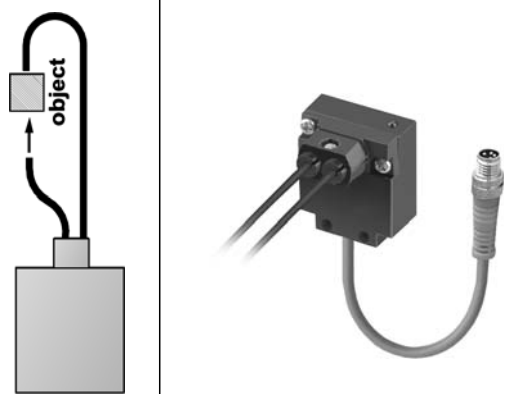

Plastic Fiber Optic with Opposed Mode

U: EP SERIES

Sensing Mode	Connection	Supply Voltage	Output Mode	Part Number
<p>Light Source: red light 650nm</p>  <p>Plastic Fiber Optic Opposed Mode Sensing Distance (Note)</p>	<p>2m Cable</p> 	<p>10-30V DC (10ms on/off)</p>	NPN/PNP Light-ON	EP-TPFD-LY6C4U2
			NPN/PNP Dark-ON	<u>EP-TPFD-DY6C4U2</u>
			NPN/PNP L.O./D.O.	<u>EP-TPFD-CY6C4U2</u>
		<p>10-30V DC (1ms on/off)</p>	NPN/PNP Light-ON	EP-TPFD-LY6C4U2-HS
			NPN/PNP Dark-ON	<u>EP-TPFD-DY6C4U2-HS</u>
			NPN/PNP L.O./D.O.	<u>EP-TPFD-CY6C4U2-HS</u>
	<p>9m Cable</p> 	<p>10-30V DC (10ms on/off)</p>	NPN/PNP Light-ON	EP-TPFD-LY6C4U9
			NPN/PNP Dark-ON	<u>EP-TPFD-DY6C4U9</u>
			NPN/PNP L.O./D.O.	EP-TPFD-CY6C4U9
		<p>10-30V DC (1ms on/off)</p>	NPN/PNP Light-ON	EP-TPFD-LY6C4U9-HS
			NPN/PNP Dark-ON	<u>EP-TPFD-DY6C4U9-HS</u>
			NPN/PNP L.O./D.O.	<u>EP-TPFD-CY6C4U9-HS</u>
<p>Pico Style 4 Pins 6" Pigtail</p> 	<p>10-30V DC (10ms on/off)</p>	NPN/PNP Light-ON	EP-TPFD-LY6P4UP	
		NPN/PNP Dark-ON	<u>EP-TPFD-DY6P4UP</u>	
		NPN/PNP L.O./D.O.	EP-TPFD-CY6P4UP	
	<p>10-30V DC (1ms on/off)</p>	NPN/PNP Light-ON	EP-TPFD-LY6P4UP-HS	
		NPN/PNP Dark-ON	<u>EP-TPFD-DY6P4UP-HS</u>	
		NPN/PNP L.O./D.O.	<u>EP-TPFD-CY6P4UP-HS</u>	
<p>Euro Style 4 Pins 6" Pigtail</p> 	<p>10-30V DC (10ms on/off)</p>	NPN/PNP Light-ON	EP-TPFD-LY6P4UE	
		NPN/PNP Dark-ON	<u>EP-TPFD-DY6P4UE</u>	
		NPN/PNP L.O./D.O.	EP-TPFD-CY6P4UE	
	<p>10-30V DC (1ms on/off)</p>	NPN/PNP Light-ON	EP-TPFD-LY6P4UE-HS	
		NPN/PNP Dark-ON	<u>EP-TPFD-DY6P4UE-HS</u>	
		NPN/PNP L.O./D.O.	<u>EP-TPFD-CY6P4UE-HS</u>	

Note: Depends on fiber optic used (Please see our **Glass Fiber & Plastic Fiber** catalogue for detail information).
Coming Soon : Part numbers with underline
In Preparation: Part numbers with a line through the middle

Plastic Fiber Optic with Opposed Mode

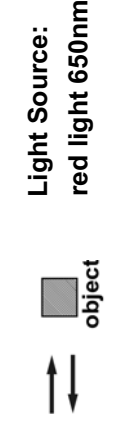
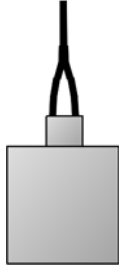




Sensing Mode	Connection	Supply Voltage	Output Mode	Part Number	
<p>Light Source: red light 650nm</p> 	2m Cable	24-240V AC (10ms on/off)	SPST Solid-state Light-ON (3-wire)	<u>EP-TPFA-LY6C3U2</u>	
			SPST Solid-state Dark-ON (3-wire)	<u>EP-TPFA-DY6C3U2</u>	
			SPST Solid-state Light-ON (2-wire)	<u>EP-TPFA-LY6C2U2</u>	
			SPST Solid-state Dark-ON (2-wire)	<u>EP-TPFA-DY6C2U2</u>	
		12-240V DC/ 24-240V AC (10ms on/off)	SPST Solid-state Light-ON (2-wire)	<u>EP-TPFC-LY6C2U2</u>	
			SPST Solid-state Dark-ON (2-wire)	<u>EP-TPFC-DY6C2U2</u>	
	<p>Plastic Fiber Optic Opposed Mode Sensing Distance (Note)</p> 	9m Cable	24-240V AC (10ms on/off)	SPST Solid-state Light-ON (3-wire)	<u>EP-TPFA-LY6C3U9</u>
				SPST Solid-state Dark-ON (3-wire)	<u>EP-TPFA-DY6C3U9</u>
				SPST Solid-state Light-ON (2-wire)	<u>EP-TPFA-LY6C2U9</u>
				SPST Solid-state Dark-ON (2-wire)	<u>EP-TPFA-DY6C2U9</u>
			12-240V DC/ 24-240V AC (10ms on/off)	SPST Solid-state Light-ON (2-wire)	<u>EP-TPFC-LY6C2U9</u>
				SPST Solid-state Dark-ON (2-wire)	<u>EP-TPFC-DY6C2U9</u>
Micro Style 3Pins 6" Pigtail			24-240V AC (10ms on/off)	SPST Solid-state Light-ON (3-wire)	<u>EP-TPFA-LY6P3UM</u>
				SPST Solid-state Dark-ON (3-wire)	<u>EP-TPFA-DY6P3UM</u>
				SPST Solid-state Light-ON (2-wire)	<u>EP-TPFA-LY6P3/2UM</u>
				SPST Solid-state Dark-ON (2-wire)	<u>EP-TPFA-DY6P3/2UM</u>
			12-240V DC/ 24-240V AC (10ms on/off)	SPST Solid-state Light-ON (2-wire)	<u>EP-TPFC-LY6P3UM</u>
				SPST Solid-state Dark-ON (2-wire)	<u>EP-TPFC-DY6P3UM</u>

Note: Depends on fiber optic used (Please see our Glass Fiber & Plastic Fiber catalogue for detail information).
 Coming Soon : Part numbers with underline
 In Preparation: Part numbers with a line through the middle

U : EP SERIES





Plastic Fiber Optic with Diffuse Mode

U: EP SERIES

Sensing Mode	Connection	Supply Voltage	Output Mode	Part Number
<p>Light Source: red light 650nm</p>  <p>object</p>  <p>Plastic Fiber Optic Diffuse Mode Sensing Distance (Note)</p>	<p>2m Cable</p> 	<p>10-30V DC (10ms on/off)</p>	NPN/PNP Light-ON	<u>EP-DPFD-LY6C4U2</u>
			NPN/PNP Dark-ON	<u>EP-DPFD-DY6C4U2</u>
			NPN/PNP L.O./D.O.	<u>EP-DPFD-CY6C4U2</u>
		<p>10-30V DC (1ms on/off)</p>	NPN/PNP Light-ON	<u>EP-DPFD-LY6C4U2-HS</u>
			NPN/PNP Dark-ON	<u>EP-DPFD-DY6C4U2-HS</u>
			NPN/PNP L.O./D.O.	<u>EP-DPFD-CY6C4U2-HS</u>
	<p>9m Cable</p> 	<p>10-30V DC (10ms on/off)</p>	NPN/PNP Light-ON	<u>EP-DPFD-LY6C4U9</u>
			NPN/PNP Dark-ON	<u>EP-DPFD-DY6C4U9</u>
			NPN/PNP L.O./D.O.	<u>EP-DPFD-CY6C4U9</u>
		<p>10-30V DC (1ms on/off)</p>	NPN/PNP Light-ON	<u>EP-DPFD-LY6C4U9-HS</u>
			NPN/PNP Dark-ON	<u>EP-DPFD-DY6C4U9-HS</u>
			NPN/PNP L.O./D.O.	<u>EP-DPFD-CY6C4U9-HS</u>
	<p>Pico Style 4 Pins 6" Pigtail</p> 	<p>10-30V DC (10ms on/off)</p>	NPN/PNP Light-ON	<u>EP-DPFD-LY6P4UP</u>
			NPN/PNP Dark-ON	<u>EP-DPFD-DY6P4UP</u>
			NPN/PNP L.O./D.O.	<u>EP-DPFD-CY6P4UP</u>
		<p>10-30V DC (1ms on/off)</p>	NPN/PNP Light-ON	<u>EP-DPFD-LY6P4UP-HS</u>
			NPN/PNP Dark-ON	<u>EP-DPFD-DY6P4UP-HS</u>
			NPN/PNP L.O./D.O.	<u>EP-DPFD-CY6P4UP-HS</u>
<p>Euro Style 4 Pins 6" Pigtail</p> 	<p>10-30V DC (10ms on/off)</p>	NPN/PNP Light-ON	<u>EP-DPFD-LY6P4UE</u>	
		NPN/PNP Dark-ON	<u>EP-DPFD-DY6P4UE</u>	
		NPN/PNP L.O./D.O.	<u>EP-DPFD-CY6P4UE</u>	
	<p>10-30V DC (1ms on/off)</p>	NPN/PNP Light-ON	<u>EP-DPFD-LY6P4UE-HS</u>	
		NPN/PNP Dark-ON	<u>EP-DPFD-DY6P4UE-HS</u>	
		NPN/PNP L.O./D.O.	<u>EP-DPFD-CY6P4UE-HS</u>	

Note: Depends on fiber optic used (Please see our **Glass Fiber & Plastic Fiber** catalogue for detail information).
Coming Soon : Part numbers with underline
In Preparation: Part numbers with a line through the middle

Plastic Fiber Optic with Diffuse Mode

Sensing Mode	Connection	Supply Voltage	Output Mode	Part Number
<p>Light Source: red light 650nm</p>  <p>object</p> <p>↑ ↓</p> <p>Plastic Fiber Optic Diffuse Mode Sensing Distance (Note)</p>	<p>2m Cable</p> 	<p>24-240V AC (10ms on/off)</p>	SPST Solid-state Light-ON (3-wire)	<u>EP-DPFA-LY6C3U2</u>
			SPST Solid-state Dark-ON (3-wire)	<u>EP-DPFA-DY6C3U2</u>
			SPST Solid-state Light-ON (2-wire)	<u>EP-DPFA-LY6C2U2</u>
			SPST Solid-state Dark-ON (2-wire)	<u>EP-DPFA-DY6C2U2</u>
		<p>12-240V DC/ 24-240V AC (10ms on/off)</p>	SPST Solid-state Light-ON (2-wire)	<u>EP-DPFG-LY6C2U2</u>
			SPST Solid-state Dark-ON (2-wire)	<u>EP-DPFG-DY6C2U2</u>
	<p>9m Cable</p> 	<p>24-240V AC (10ms on/off)</p>	SPST Solid-state Light-ON (3-wire)	<u>EP-DPFA-LY6C3U9</u>
			SPST Solid-state Dark-ON (3-wire)	<u>EP-DPFA-DY6C3U9</u>
			SPST Solid-state Light-ON (2-wire)	<u>EP-DPFA-LY6C2U9</u>
			SPST Solid-state Dark-ON (2-wire)	<u>EP-DPFA-DY6C2U9</u>
		<p>12-240V DC/ 24-240V AC (10ms on/off)</p>	SPST Solid-state Light-ON (2-wire)	<u>EP-DPFG-LY6C2U9</u>
			SPST Solid-state Dark-ON (2-wire)	<u>EP-DPFG-DY6C2U9</u>
<p>Micro Style 3Pins 6" Pigtail</p> 	<p>24-240V AC (10ms on/off)</p>	SPST Solid-state Light-ON (3-wire)	<u>EP-DPFA-LY6P3UM</u>	
		SPST Solid-state Dark-ON (3-wire)	<u>EP-DPFA-DY6P3UM</u>	
		SPST Solid-state Light-ON (2-wire)	<u>EP-DPFA-LY6P3/2UM</u>	
		SPST Solid-state Dark-ON (2-wire)	<u>EP-DPFA-DY6P3/2UM</u>	
	<p>12-240V DC/ 24-240V AC (10ms on/off)</p>	SPST Solid-state Light-ON (2-wire)	<u>EP-DPFG-LY6P3UM</u>	
		SPST Solid-state Dark-ON (2-wire)	<u>EP-DPFG-DY6P3UM</u>	

Note: Depends on fiber optic used (Please see our Glass Fiber & Plastic Fiber catalogue for detail information).
Coming Soon : Part numbers with underline
In Preparation: Part numbers with a line through the middle

U : EP SERIES

Specifications (DC)

U: EP SERIES

Sensing Mode Item	DC					
	Opposed Mode	Retroreflective	Diffuse Mode	Convergent	Glass Fiber	Plastic Fiber
Sensing Range	See each mode					
Hysteresis	—					
Operating Voltage	10~30V DC					
Ripple	< 10%					
Voltage Drop	<2.0V at 150mA					
Max Load Current	150mA					
No Load Current	<25mA					
Min. Load Current	5mA					
Leakage Current	<1mA					
Output Configuration	Bipolar: One current sourcing (PNP) and one current sinking (NPN) open-collector transistor					
Environmental Rating	Meets NEMA standards 1, 2, 3s, 4, 12, and 13; IEC IP66 when assembled to sensor head					
Indicators	Red indicator LED on rear or sensor is "on" when the load is energized					
Transient Protection	Yes					
Reverse Polarity Protection	Yes					
Short Circuit Protection	Yes					
Over Load Current Protection	>180mA					
Output Response Time	10ms or 1ms(High-speed type)					
Construction	Reinforced thermoplastic polyester housing, totally encapsulated, o-ring sealing, acrylic lenses, and stainless screws.					
Enclosure Rating	IP66					
Operating Conditions	Temperature: 0°...50°C, Maximum relative humidity: 90% at 50°C (non-condensing)					
EMC	IEC 60947-5-2, Parts 7.2.6.1. 2. 3 or RFI>3V/m(in 30-1000MHZ), EFT>1KV, ESD>4KV(contact)					
Voltage Withstand Ability	IEC 60947-5-2, Part 8.3.3.4 or 500VDC for one min, between all supply terminals connected together and enclosure					
Insulation Resistance	>20MΩ, with 500V DC megger between all supply terminals connected together and enclosure					
Vibration Resistance	IEC 60947-5-2, Part 7.4.2 or 10-55HZ, 1.0mm amplitude in x , y and z directions for 30 min					
Shock Resistance	IEC 60947-5-2, Part 7.4.1 or 30g, 11ms in x , y and z directions for six time each					
Cable	2m or 9m 5.8ϕ 4X0.5 (Emitter :2X0.5) PVC.					
Pigtail Type	See Pigtail Series or our Cables & Connectors catalogue.					

Specifications (AC)

Item \ Sensing Mode	AC					
	Opposed Mode	Retroreflective	Diffuse Mode	Convergent	Glass Fiber	Plastic Fiber
Sensing Range	See each mode					
Hysteresis	<20 % of sensing distance (only for diffuse mode)					
Operating Voltage	24~240V AC (50/60HZ)					
Output Configuration	SPST MOSFET solid-state relay with either normally closed or normally open contact 2-wire or 3-wire hookup (by type number)					
Voltage Drop	<10V at 200mA					
Max Load Current	≤200mA					
No Load Current	≤1.7mA					
Min. Load Current	≥5mA					
Leakage Current	≤1.7mA					
Transient Protection	Yes					
Short Circuit Protection	Yes					
Over Load Current Protection	≥220mA					
Response Time	10 ms					
Construction	Reinforced thermoplastic polyester housing, totally encapsulated, o-ring sealing, acrylic lenses, and stainless screws.					
Indicators	Red indicator LED on rear or sensor is "on" when the load is energized					
Enclosure Rating	IP66					
Operating Temperature	Temperature: 0°to +50°C, Maximum relative humidity: 90% at 50°C					
EMC	IEC 60947-5-2, Parts 7.2.6.1. 2. 3 or RFI>3V/m(in 30-1000MHZ), EFT>1KV, ESD>4KV(contact)					
Voltage Withstand Ability	IEC 60947-5-2, Part 8.3.3.4 or 1500VAC for one min, between all supply terminals connected together and enclosure					
Insulation Resistance	>20MΩ, with 1500V AC megger between all supply terminals connected together and enclosure					
Vibration Resistance	IEC 60947-5-2, Part 7.4.2 or 10-55HZ, 1.0mm amplitude in x , y and z directions for 30 min					
Shock Resistance	IEC 60947-5-2, Part 7.4.1 or 30g, 11ms in x , y and z directions for six time each					
Cable	2m or 9m 5.8 φ 2x0.5 or 3x0.5 (Emitter of thru-beam mode :2x0.5) PVC.					
Pigtail Type	See page Pigtail Series or our Cables & Connectors catalogue					

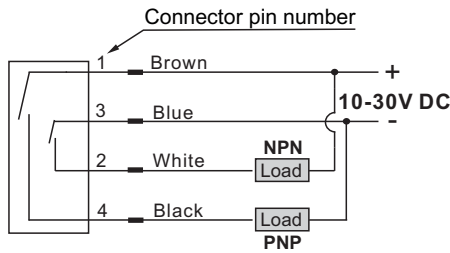
Specifications (AC/DC)

U: EP SERIES

Sensing Mode Item	AC/DC					
	Opposed Mode	Retroreflective	Diffuse Mode	Convergent	Glass Fiber	Plastic Fiber
Sensing Range	See each mode					
Hysteresis	<20 % of sensing distance (only for diffuse mode)					
Operating Voltage	12~240VDC / 24~240V AC					
Output Configuration	SPST MOSFET solid-state relay with either normally closed or normally open contact ; 2-wire hookup					
Voltage Drop	<10V @ 200mA					
Max Load Current	≤ 200mA					
No Load Current	≤ 25mA					
Min. Load Current	≥ 5mA					
Leakage Current	≤ 1.7mA					
Transient Protection	Yes					
Short Circuit Protection	Yes					
Over Load Current Protection	≥ 220mA					
Response Time	10 ms					
Construction	Reinforced thermoplastic polyester housing, totally encapsulated, o-ring sealing, acrylic lenses, and stainless screws.					
Indicators	Red indicator LED on rear or sensor is "on" when the load is energized					
Enclosure Rating	IP66					
Operating Temperature	Temperature: 0° to +50°C, Maximum relative humidity: 90% at 50°C					
EMC	IEC 60947-5-2, Parts 7.2.6.1. 2. 3 or RFI>3V/m(in 30-1000MHZ), EFT>1KV, ESD>4KV(contact)					
Voltage Withstand Ability	IEC 60947-5-2, Part 8.3.3.4 or 1500VAC for one min, between all supply terminals connected together and enclosure					
Insulation Resistance	>20MΩ, with 1500V AC megger between all supply terminals connected together and enclosure					
Vibration Resistance	IEC 60947-5-2, Part 7.4.2 or 10-55HZ, 1.0mm amplitude in x , y and z directions for 30 min					
Shock Resistance	IEC 60947-5-2, Part 7.4.1 or 30g, 11ms in x , y and z directions for six time each					
Cable	2m or 9m 5.8 φ 2x0.5 PVC.					
Pigtail Type	See page Pigtail Series or our Cables & Connectors catalogue					

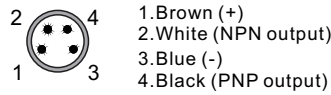
Connection Diagrams

NPN/PNP Light-On or Dark-ON output

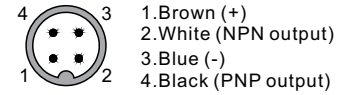


Connector pin position

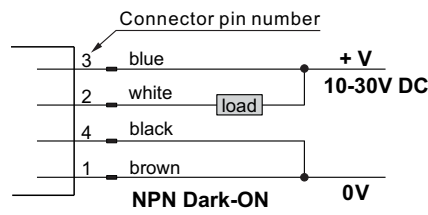
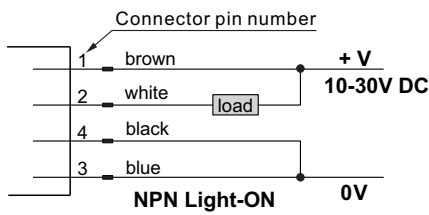
Pico-Style



Euro-style



NPN/PNP Light-ON/Dark-ON changeover output

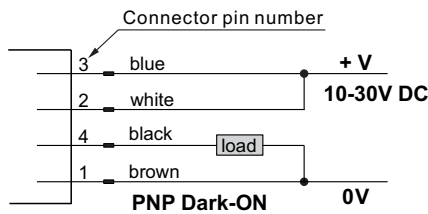
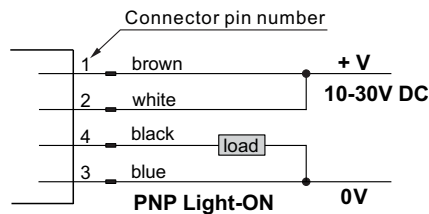
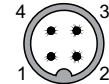


Connector pin position

Pico-Style

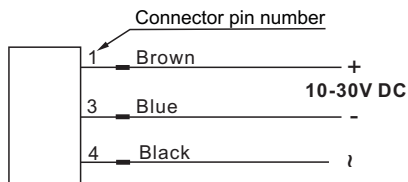


Euro-style



- 1. Brown
- 2. White
- 3. Blue
- 4. Black

Emitter of Thru-beam Mode (DC)

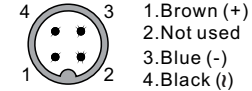


Connector pin position

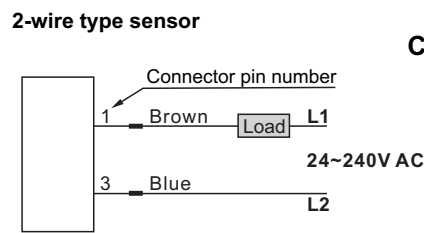
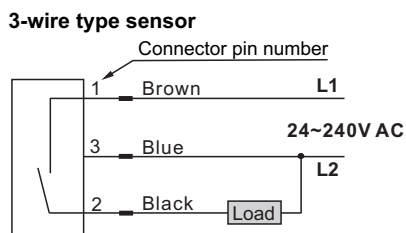
Pico-Style



Euro-style



SPST Solid-state output (AC)

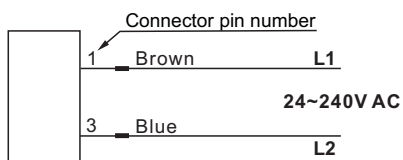


Connector face view

Micro-style

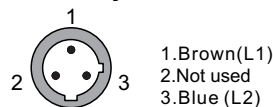


Emitter of Thru-beam Mode (AC)

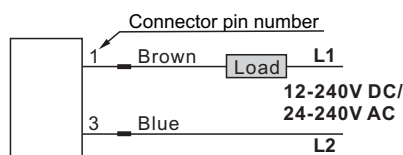


Connector face view

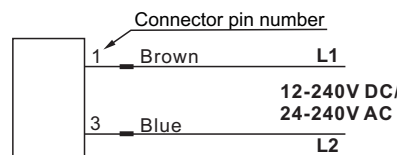
Micro-style



SPST Solid-state output (AC/DC)

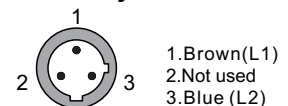


Emitter of Thru-beam Mode (AC/DC)



Connector face view

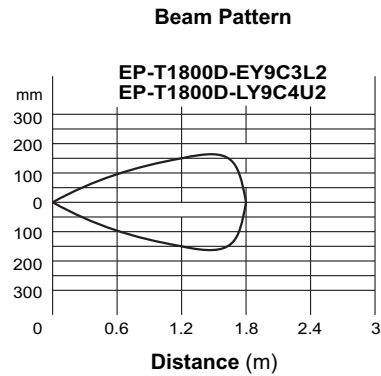
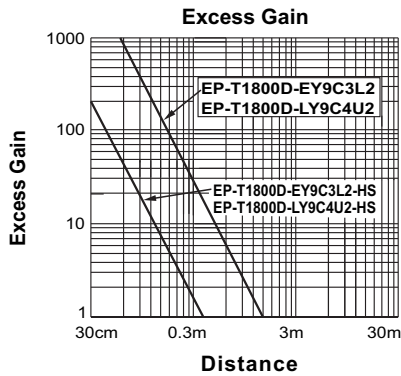
Micro-style



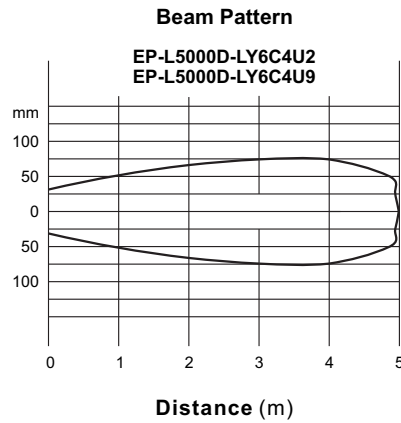
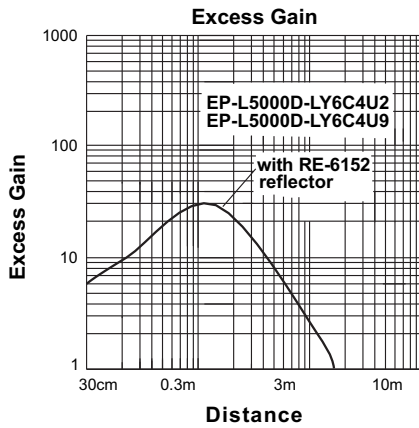
Sensing Characteristics (Typical)

U: EP SERIES

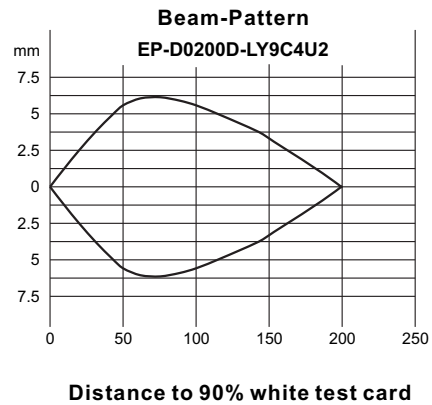
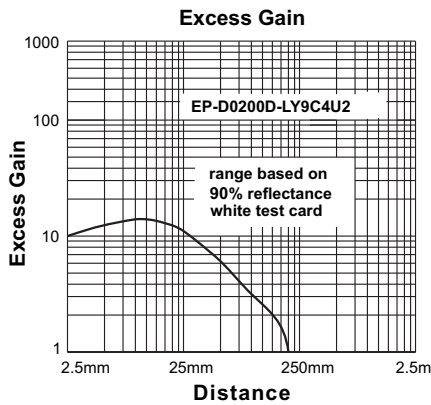
Opposed Mode (Sn=1.8m)



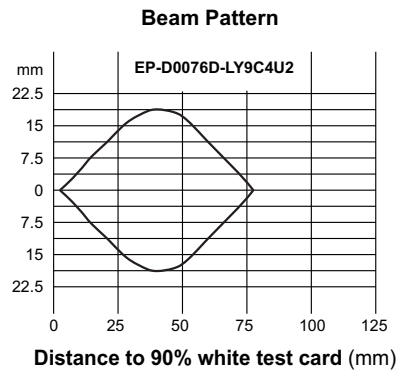
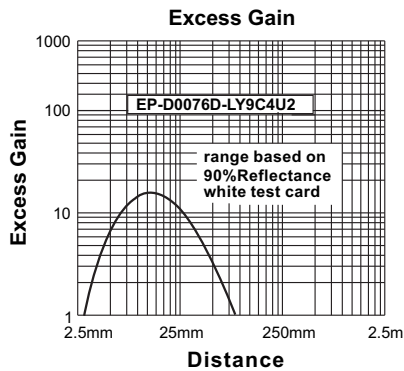
Retroreflective Mode (Sn=5m)



Diffused Mode (Sn=200mm)

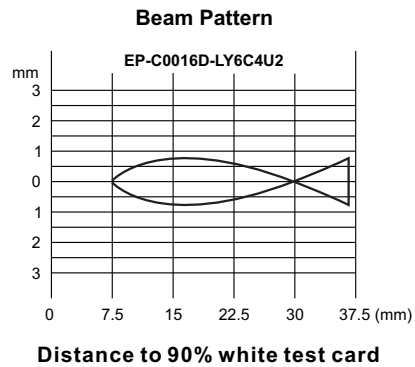
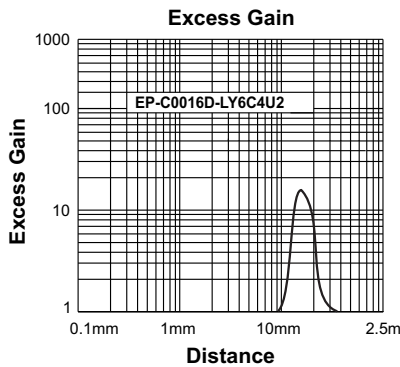


Diffused Mode (Sn=76mm)

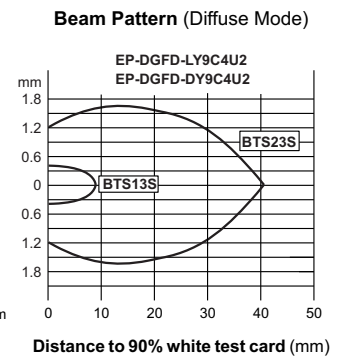
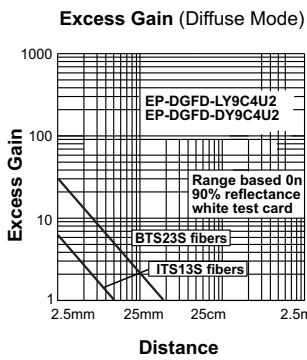
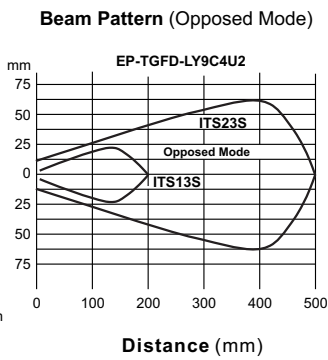
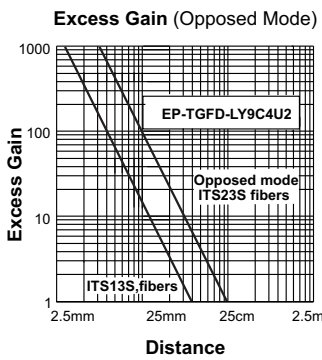


Sensing Characteristics (Typical)

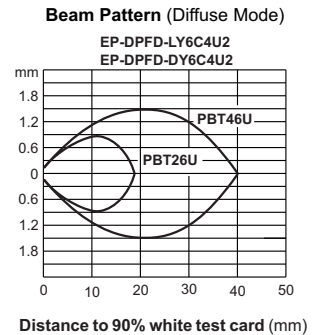
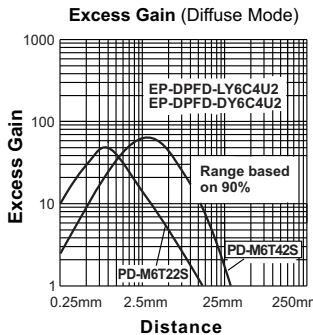
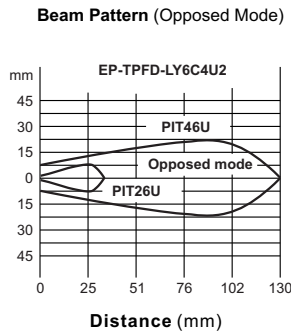
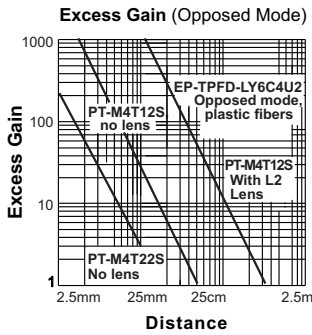
Convergent Mode



Glass Fiber Optic



Plastic Fiber Optic

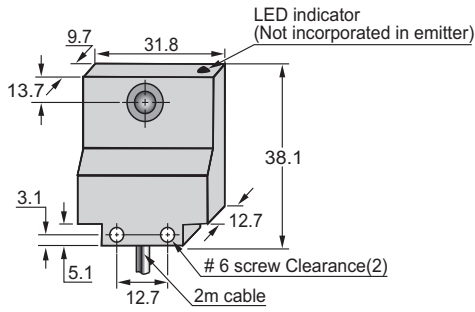


U : EP SERIES

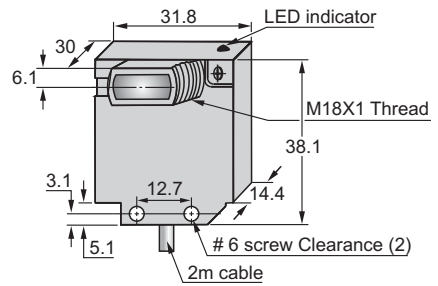
Dimensions (Unit: mm)

U: EP SERIES

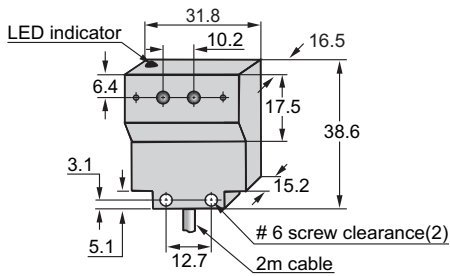
Opposed Sensor



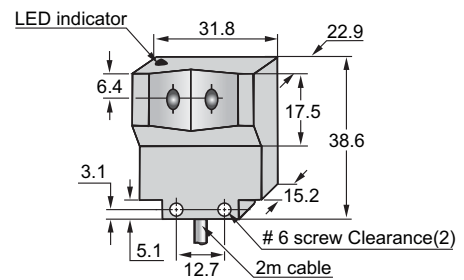
Retroreflective Sensor



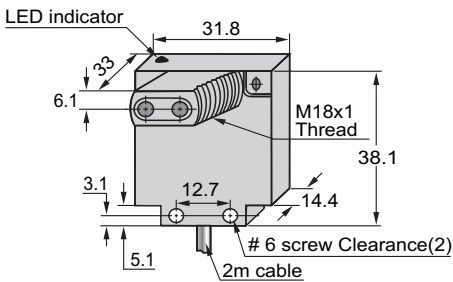
Diffuse Sensor



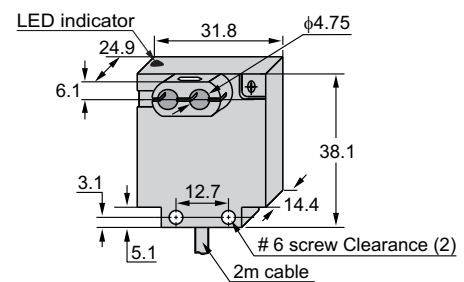
Convergent Sensor



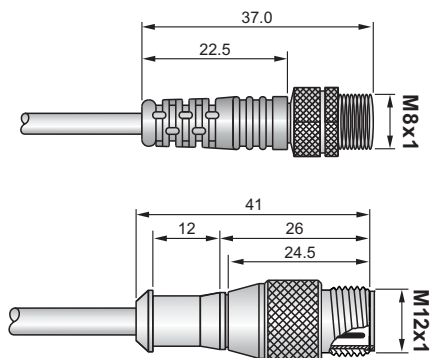
Glass Fiber Sensor



Plastic Fiber Sensor



Pigtail* Type



*: Please see **Pigtail Series** or our **Cables & Connectors** catalogue for more information.